

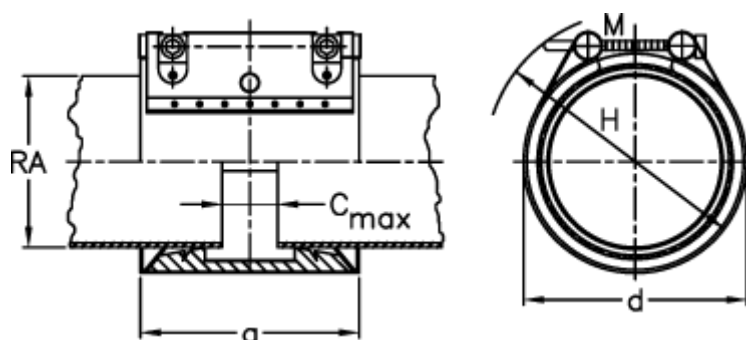
Data Sheet



Article number: 025798400154

Description: Norma Connect pipe coupling
GRIP E W2 Ø=154,0 NBR, 16 bar

Measures



a	= 115
C max with insertion band	= 35
d	= 180
H	= 210
M (screw)	= M12
Nominal pressure (bar)	= 16
RA	= 154
RA min-RA max	= 152,4-155,6

Weight a piece = 2.7